

# BREMCO Chassis Measuring

Industry Leaders In Chassis Measuring Equipment  
, Training & Support

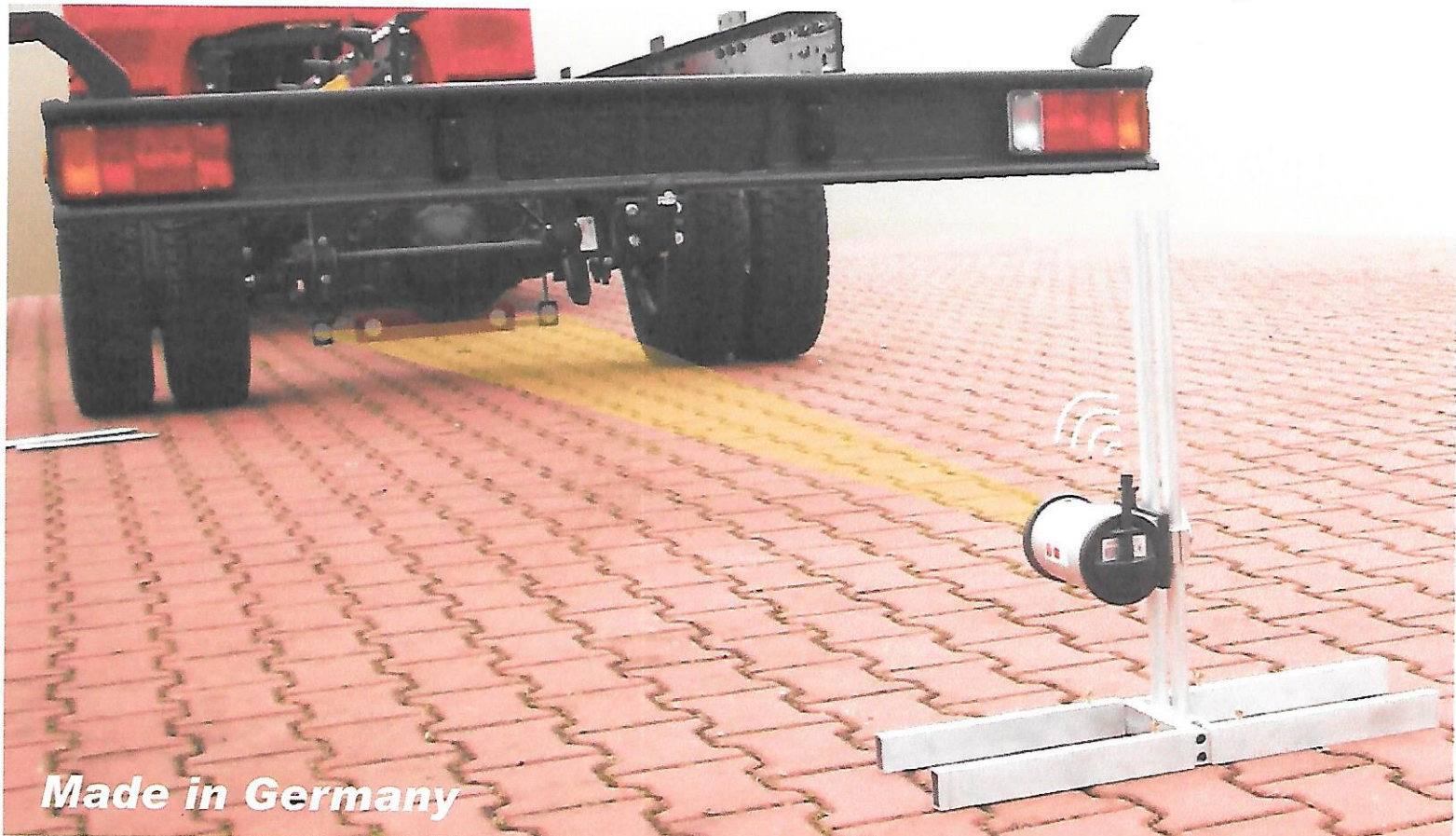
## CMC4000

Chassis Member Check

Camera Radio System

*Frame alignment for commercial vehicles*  
*Wireless - Quick - Precise*

PC-based  
camera radio  
system



*Made in Germany*

**Product description**

The successful AXIS series for axle alignment on commercial vehicles was extended by the mobile frame alignment **CMC4000**

This enables problem-free accurate statements concerning the actual status of the vehicle frame.

With the help of the **CMC4000** one can record

- **the lateral deformation** (horizontal deviation)
- **the height difference** (vertical deviation)
- **the torsion**

of the vehicle frame.

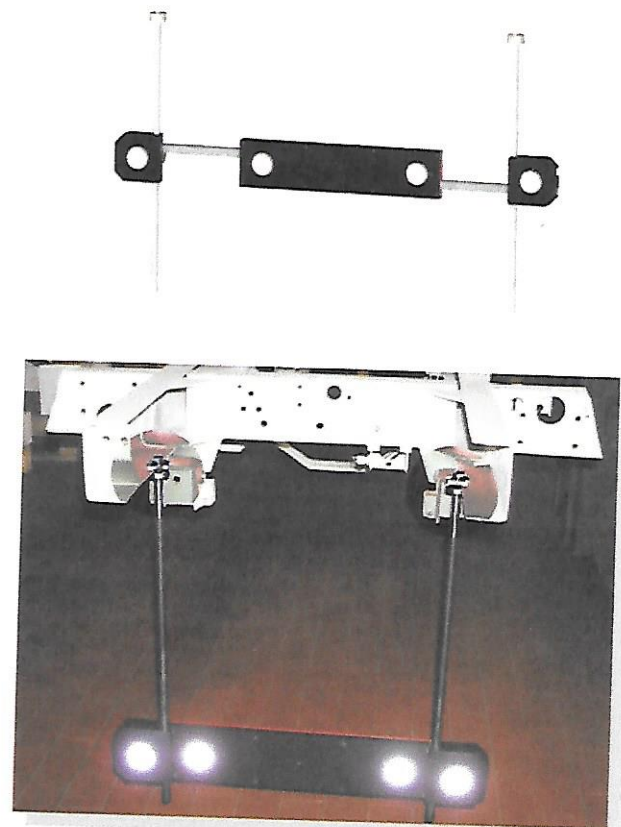
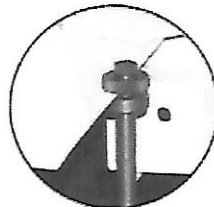


**Product features**

- Quick attachment of frame scale inside the chassis - **disassembly of various components** (tank / spare wheel / equipment boxes) is **not required**
- **self-centring frame scale**
- **Measured data acquisition with only one camera** (component part of the AXIS4000)
- Individual software

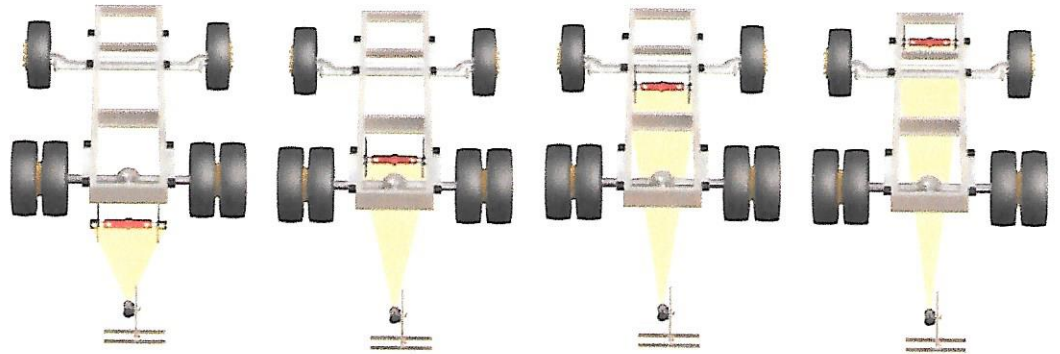


Detailed picture: Clamping device of frame scale



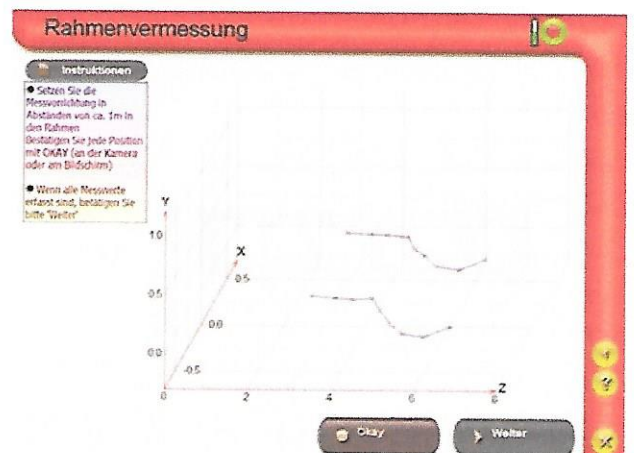
## Application features

- Variable measuring points
- Individually selectable measuring matrix (especially in the deformation area)



## Simple measured data acquisition

Simple and clear on-screen instructions explain the individual work steps to the operator. The measured data are thereby directly shown in a diagram.



## Clearly arranged menu structure

Depending on the application, the evaluated results can be called up with different information concerning horizontal, vertical deformation or torsion in various types of representation.



## Graphic representation in 2D and 3D

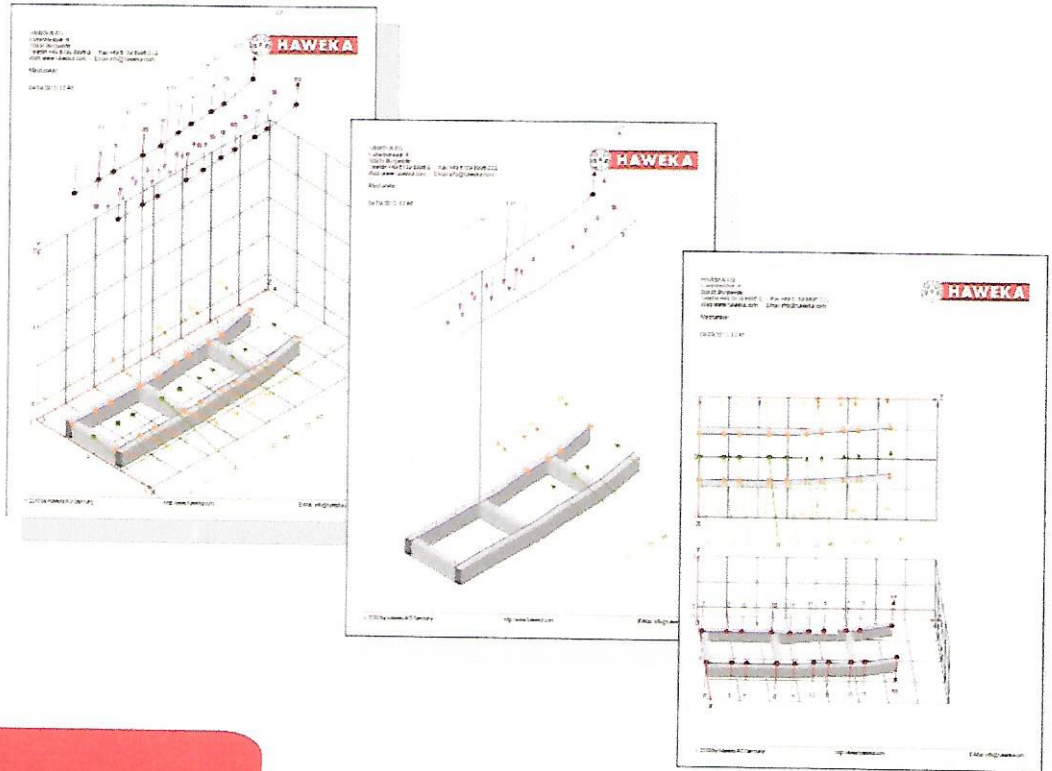
The clearly arranged menu structure in the display options enables quick switching between the 2D and 3D displays at any time



## Measurement record / overviews

All individual measurements can be shown and printed out in the measurement record.

Depending on the application records with different expressiveness can be created for a measurement.



## Technical data

|                          | Measuring range | Measuring accuracy |
|--------------------------|-----------------|--------------------|
| Horizontal frame offset  | 0 - 750 mm      | ± 0.5 mm           |
| Vertical frame offset    | 0 - 750 mm      | ± 0.5 mm           |
| Measurable frame torsion | ± 18°           | ± 0.2°             |
| Measurable frame length  | max. 18 Meter   | --                 |
| Measurable frame width   | 750 - 1350 mm   | --                 |

## Variants CMC 4000

### Upgrade kit **CMC4000** for AXIS4000



- Frame scale
- Camera stand
- Software **CMC4000**

Part no. 924 000 101

### Frame alignment **CMC4000** Solo



- Frame scale
- Camera stand
- Radio camera
- Charging station
- FM radio transmitter
- Software **CMC4000**

Part no. 924 000 100 **Approved UK Distributor**

✉ [info@bremco.co.uk](mailto:info@bremco.co.uk)

☎ 07904 264 259

The simple handling of the **CMC4000** has already been registered with the patent office.